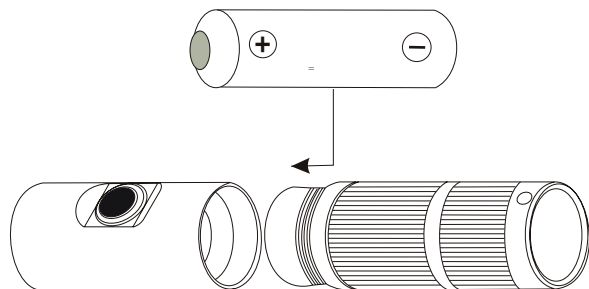


Battery Installation



Battery Installation

Insert 1 ea. 18650 Li-ion battery with the positive “+” end facing the flashlight head. Exercise caution to get the battery polarity correct.

Button Switch

- The button switch is a 3-position switch, High-Low-Off.
- The button switch indicates the battery’s voltage: green for high and red for low.

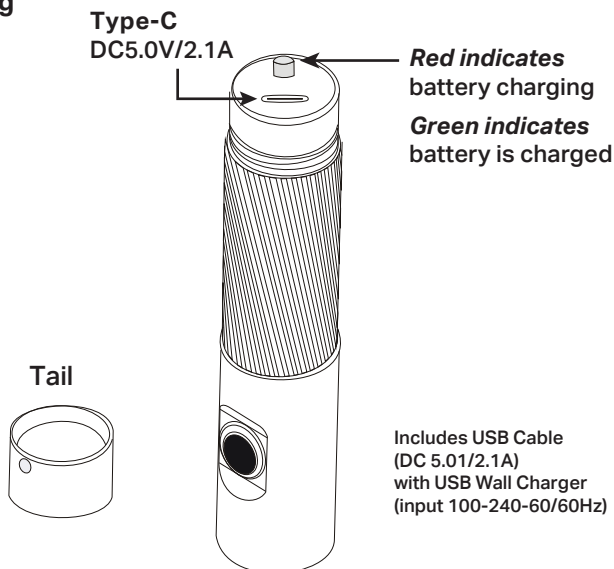
Charging

- Unscrew and remove the rear cap of the light to expose the charging port. The light head can remain in place.
- Be sure to dry the port if there is any moisture present from the previous dive. This will prevent oxidation
- Plug the USB cable into the provided wall charger or any convenient USB charging port
- Plug the Type-C connector into the charging port on the back of the light
- When the charge indicator is red, it means that it is charging. When the charge indicator turns green, it means that charging is complete.
- Remove from charger when fully charged
- Do not use light while it is charging
- Inspect the o-rings to make sure that they are clean and free of any lint, hair or debris. Place a light film of silicone grease on the o-rings. This will make removal / replacement of rear cap much easier.
- Carefully thread the rear cap back on to the body being careful not to pinch or unseat o-rings.

Care and Maintenance

- After each dive, rinse your light thoroughly with clean, fresh water
- If you are going to open the light, dry with towel first.
- Keep all o-rings cleaned and lubricated with a light coating of silicone grease. There are o-rings under the head and under the tail cap
- Store light in a cool place, out of direct sunlight and away from heat sources.

Charging



Features

Power Source	CREE XPL-HI V5 12W LED
Output	High 1000 lm Mid 600 lm
Burn Time	High - 1hr. 10min, Mid - 2hr 10min
Battery	18650 2600 mAh Battery
Charge Time	Charges in 3 hours
Switch	3-Position (High-Mid-Off) button switch
Beam Distance	330 ft. (100 m)
Beam Angle	10.5 degrees
Impact Resistant	1 m
Depth Tested	330 ft. (100 m)
Length	5 in. (126 mm)
Diameter	1 in. (26.5 mm)
Weight (including battery)	5.5 oz. (155 g)

Notice:

The stated data has been measured according to the international flashlight testing standards in the laboratory. The data may vary with environmental conditions.

Warranty:

- Your XS Scuba light is covered by a full 12 month warranty.
- Within 14 days of purchase, if a fault occurs due to defect, the light will be replaced (proof of purchase required).
- After 14 days and within 12 months of purchase, your light will be repaired or replaced at the discretion of XS Scuba.
- Excluded is damage caused by incorrect battery insertion (reversed polarity), battery leakage, disassembly, modification or abuse.